

In the past headsets were easy. Only one size, only one threaded model. This was already changing with the introduction of the threadless headsets years ago. Nowadays no standard seems sacred anymore. Different brands are designing their own sizes and standards. Often we see a different upper and lower bearing size. We can imagine the headaches this will bring our dealers and consumers. With PRO we can offer a solution. We bring you a range of headsets based on the exact measurements. With the S.H.I.S method you can measure and find the right headset to match your bike. Besides this tool we will also offer the upper and lower bearings separately. Now you have total freedom to mix and match for your perfect headset. Follow the instructions below and find your match!

STANDARDIZED HEADSET IDENTIFICATION SYSTEM

S.H.I.S



1. HEADSET TYPE

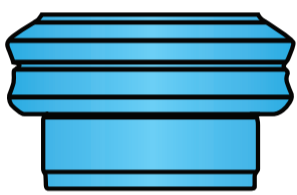
DETERMINE HEADSET CONSTRUCTION

≥ **ZS** HEADSET



ZERO STACK

≥ **EC** HEADSET

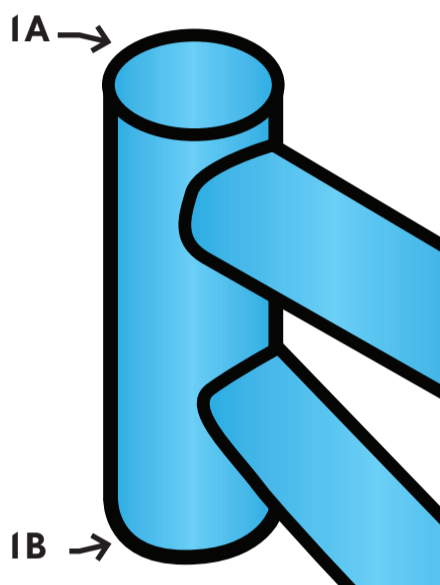


EXTERNAL CUP

≥ **IS** HEADSET



INTEGRATED



COMPILE YOUR **S.H.I.S. CODE**

UPPER HEADSET FIT

1A2A / 3A

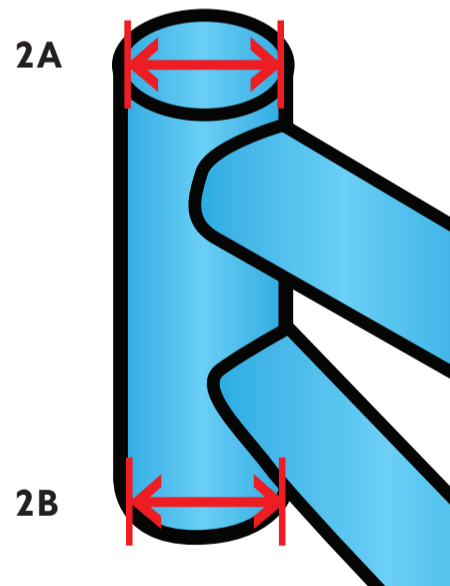
LOWER HEADSET FIT

1B2B / 3B

2. FRAME DIMENSIONS

MEASURE HEAD TUBE INNER DIAMETER

ROUND DIMENSIONS TO THE NEAREST 1 MM



EXAMPLE

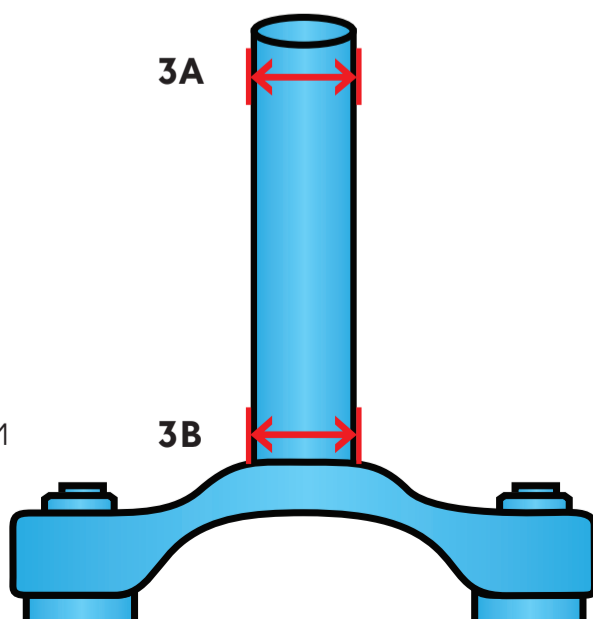
1A2A / 3A - 1B2B / 3B

IS42 / 28,6 - IS52 / 40

3. FORK DIMENSIONS

MEASURE STEERER TUBE OUTER DIAMETER

ROUND DIMENSIONS TO THE NEAREST 0.1 MM



FIND YOUR HEADSET ON
PRO-BIKEGEAR.COM/HEADSETS